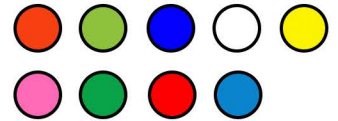


## Orange 18" Black Base Cone

COLORS AVAILABLE



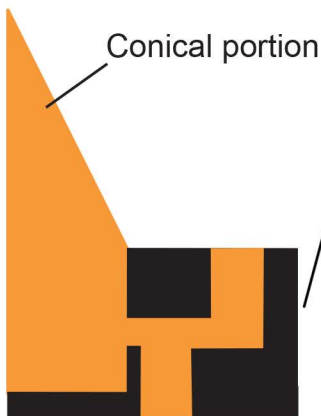
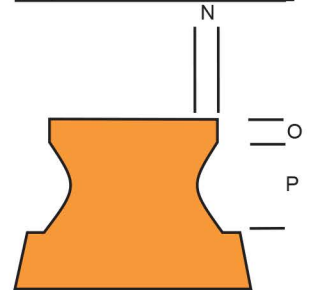
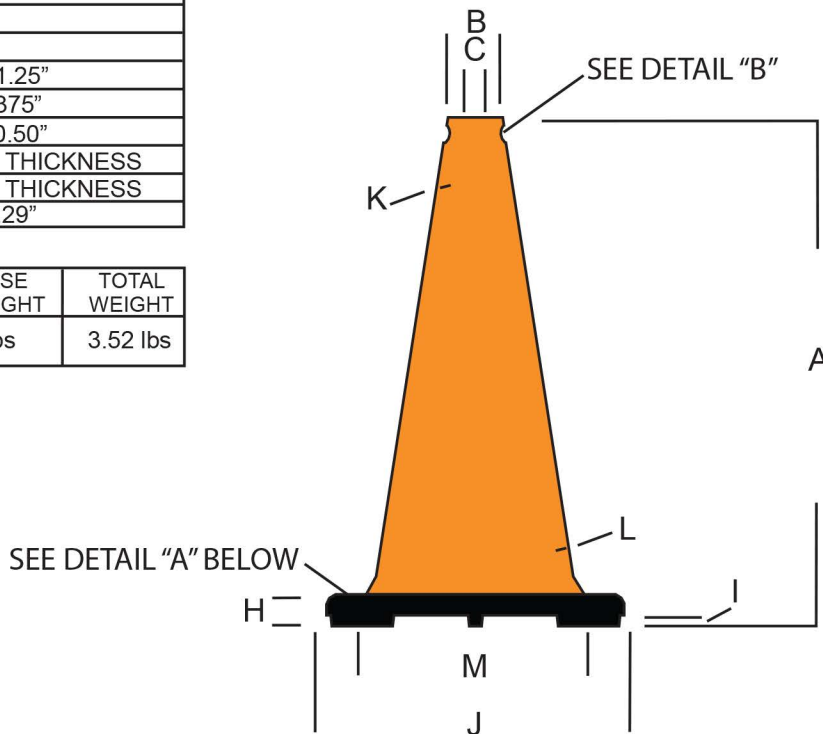
### DIMENSIONS

A	18.00"
B	2.00"
C	1.50" DIAMETER
D	
E	
F	
G	
H	1.25"
I	.375"
J	10.50"
K	.10" WALL THICKNESS
L	.18" WALL THICKNESS
M	7.29"

CONE SIZE	BASE WEIGHT	TOTAL WEIGHT
18"	lbs	3.52 lbs

### DETAIL "B"

N	.250" RECESS
O	.250"
P	.75"



Base portion

Notes:

- Conical section manufactured from 100% recyclable fluorescent orange PVC
- Conical section also available in 100% recyclable fluorescent yellow - green PVC
- Base manufactured from 100% post industrial recycled black PVC

## Circle Interlock System DETAIL "A"